



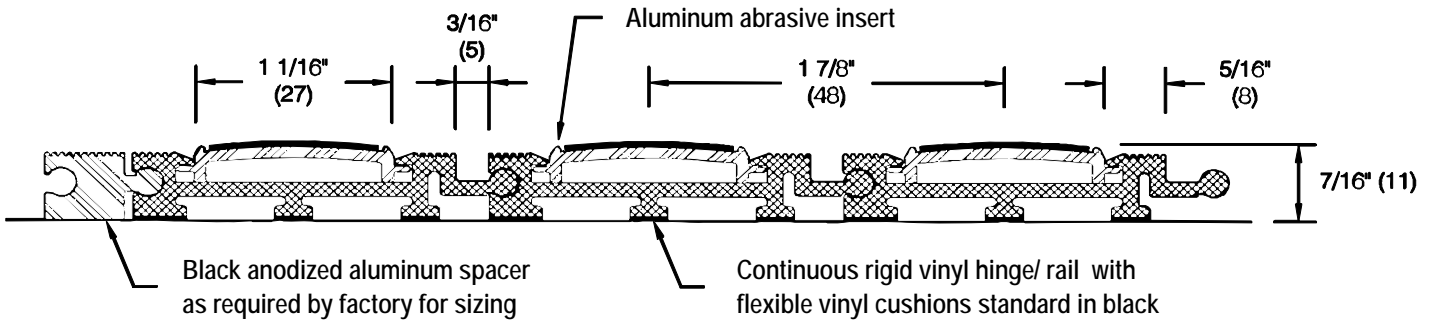
AMERICAN FLOOR PRODUCTS COMPANY, INC.

AFCO-USA

P.O. BOX 7055 • Gaithersburg, Maryland 20898 -7055 • 301-987-0490 • Fax 301-987-0422
 email: sales@afco-usa.com • Web Site: www.afco-usa.com

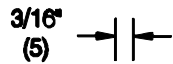
CUSTOMER P.O. #

UNIFLEX® Aluminum Abrasive Insert (UX-275)

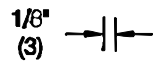


Optional Framing:

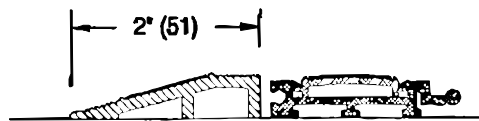
AFCO requires that exact opening dimensions be provided. Factory will fabricate mats 1/4" (6 mm) smaller than exact opening dimensions to allow for proper fit.



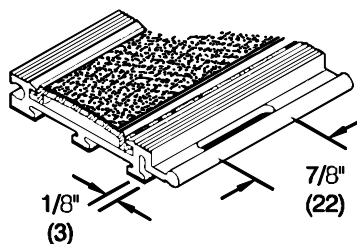
Recessed frame MF-150, MF-151, MF-152, MF-153



Recessed frame MF-166



Surface frame MF-168



Perforated hinge

Hinge Details:



Ball & Socket Hinge

Optional Nosings:

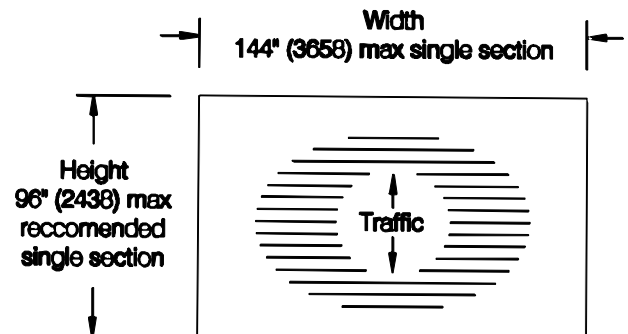


Square vinyl nosing



Beveled vinyl nosing

Sectioning Information:



* Mats over 48 square feet may require sectioning as determined by the factory

UNIFLEX® Aluminum Abrasive Insert (UX-275)

Finish	Application	Function	Traffic		Materials	Location	Durability
			Pedestrian	Rolling			
Black	Mall entry Hospital Bank Office building Retail Hotel School institution	Scraping Absorption	Heavy	Medium	Vinyl compounds	Interior	Excellent

Testing in accordance with NFPA 253 (ASTM E 648):
Critical Radiant Flux - Flammability

<p>Features:</p> <ul style="list-style-type: none"> • Continuous vinyl hinge/ rail and cushion for superior noise reduction • Roll-up for easy cleaning of recess • Optional perforated hinge for added drainage • Single section width to 144" (3658 mm) • Aluminum abrasive insert: Extruded aluminum base with applied abrasive strip • Static coefficient of friction (ASTM D 2047-82) Dry: >1.14 Wet: >1.20 • Rolling Load: 350 lbs./wheel 	<p>Finishes:</p> <ul style="list-style-type: none"> • Aluminum abrasive insert alloy 6105 - T5: Mill finish aluminum base (standard) Abrasive from manufacturer's color samples
---	---

JOB NAME:	ITEMS	QUANTITY
JOB NUMBER:	Dimension:	
CONTRACTOR:	Solid or Perforation:	
ARCHITECT:	Frame:	
DEALER NAME:	Insert Style:	
APPROVED BY:	Date:	Insert Color: